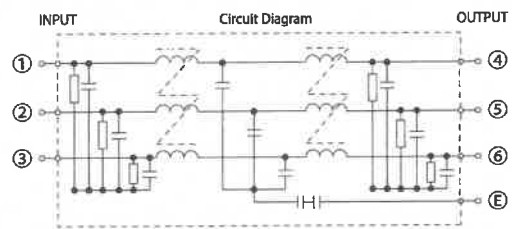


TMS-50 Series

Three phase Noise Filter

Feature

- High attenuation characteristics (150KHz~10MHz)
- Three Phase
- 2-Stage Filter
- Steel case (6A~60A)/ Safety cover
- Easy push-down Terminal Block
- Dimension:



TMS SPECIFICATIONS

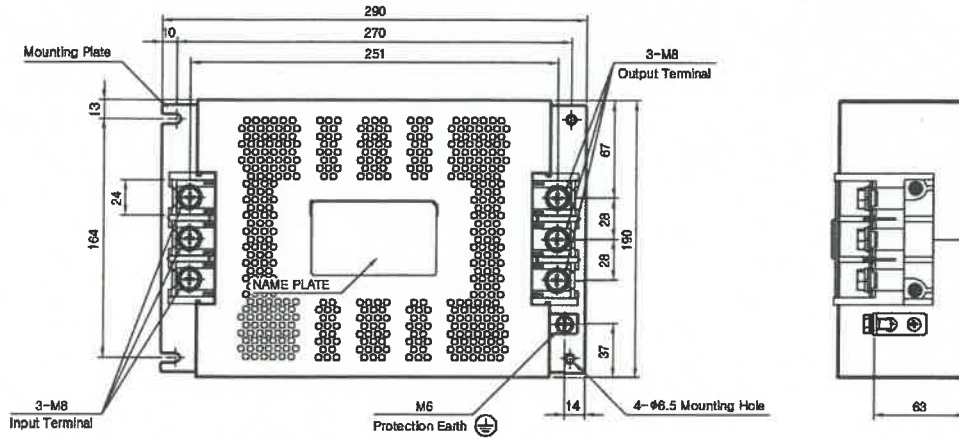


MODEL	Rated Voltage (AC/DC)	Rated Current	Leakage Current(60Hz)	Temperature Rise	Operating Temperature
TMS-5006	500V Max	6A	5.0mA Max	50°C Max	-25~+85°C
TMS-5010	500V Max	10A	5.0mA Max	50°C Max	-25~+85°C
TMS-5020	500V Max	20A	5.0mA Max	50°C Max	-25~+85°C
TMS-5030	500V Max	30A	5.0mA Max	50°C Max	-25~+85°C
TMS-5040	500V Max	40A	5.0mA Max	50°C Max	-25~+85°C
TMS-5050	500V Max	50A	5.0mA Max	50°C Max	-25~+85°C
TMS-5060	500V Max	60A	5.0mA Max	50°C Max	-25~+85°C
TMS-5080 ●	500V Max	80A	5.0mA Max	50°C Max	-25~+85°C
TMS-5100 ●	500V Max	100A	5.0mA Max	50°C Max	-25~+85°C
TMS-5150 ●	500V Max	150A	5.0mA Max	50°C Max	-25~+85°C

(● : 개발중)

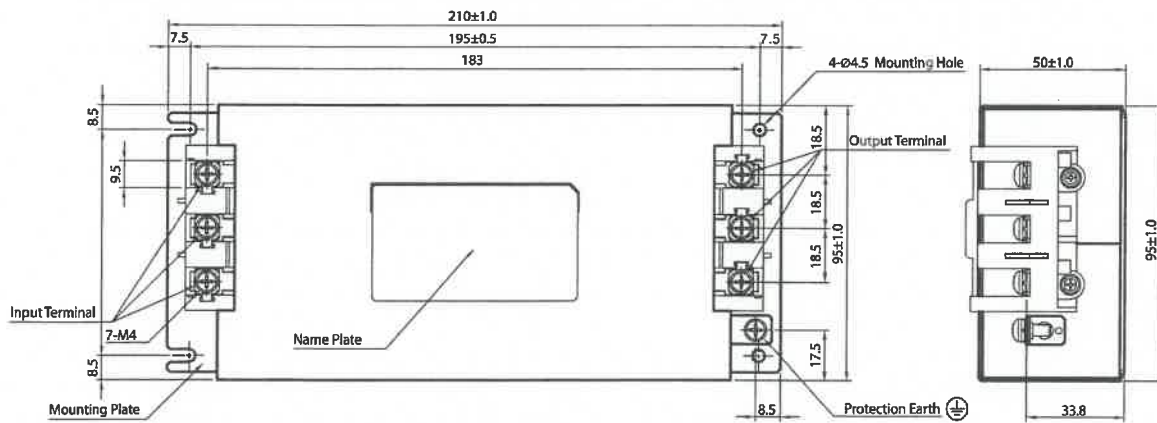
TNS E-type (5150)

1-Stage Filter



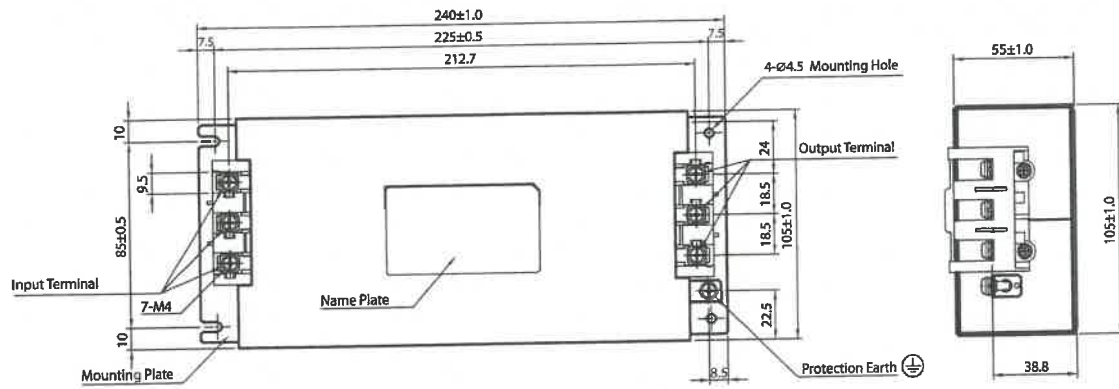
TMS A-type (5006 / 5010)

2-Stage Filter



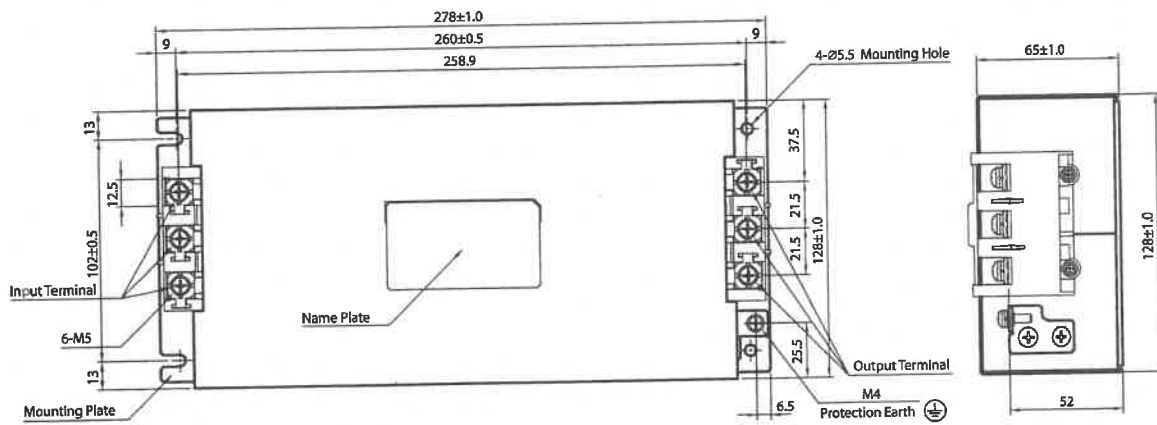
TMS B-type (5020 / 5030)

2-Stage Filter



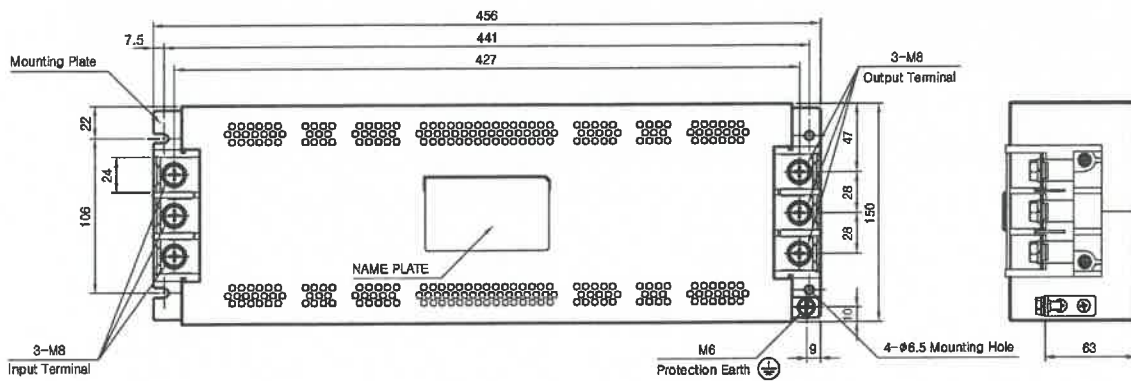
TMS C-type (5040 / 5050 / 5060)

2-Stage Filter



TMS D-type (5080 / 5100)

2-Stage Filter



TMS E-type (5150)

2-Stage Filter

